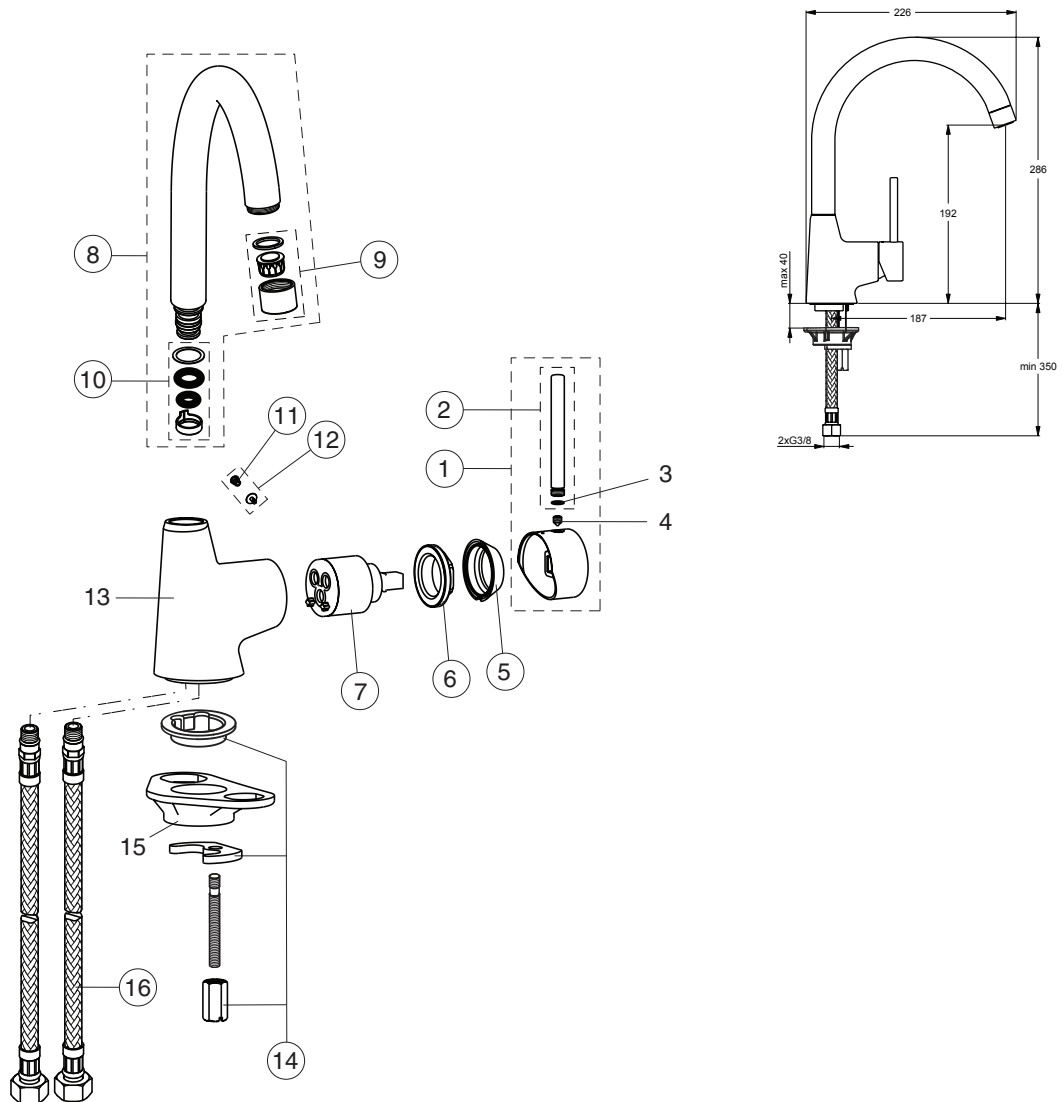


NORA (B9328XX)



For XX=Coverage-Designate:

AA=chrome, GN=ultra steel

For Instance:

B960909AA for chrome

B960909GN for ultra steel

Pos.	Signify	Spare parts-Nr.	Quantity	Pos.	Signify	Spare parts-Nr.	Quantity
1	Lever, w/logo ISI-compl.	B960909XX	1 Pcs.	12	Screw and cap-compl.	B960297XX	1 Pcs.
2	Small handle for handle	B960719XX	1 Pcs.	13	Body kitchen		1 Pcs.
3	O-Ring $\varnothing 6 \times 1$		1 Pcs.	14	Connecting set	B964894NU	1 Set
4	Screw M5x6		1 Pcs.	15	U plate support bracket fixing kit		1 Pcs.
5	Cap	B960709XX	1 Pcs.	16	Flex pexhose F3/8 M10x1/L445mm	A963600NU	1 Pcs.
6	Screw M38x1	B960710NU	1 Pcs.				
7	Cartridge K-35A, w/hot limit stop	A960567NU	1 Pcs.				
8	Tub.spout R190mm-compl.	B960293XX	1 Pcs.				
9	Aerator M22x1-A for tub.spout-compl.	B960294XX	1 Pcs.				
10	Sealing set for tub.spout	B960295NU	1 Pcs.				
11	Screw M5x5.5	A960058NU	1 Pcs.				