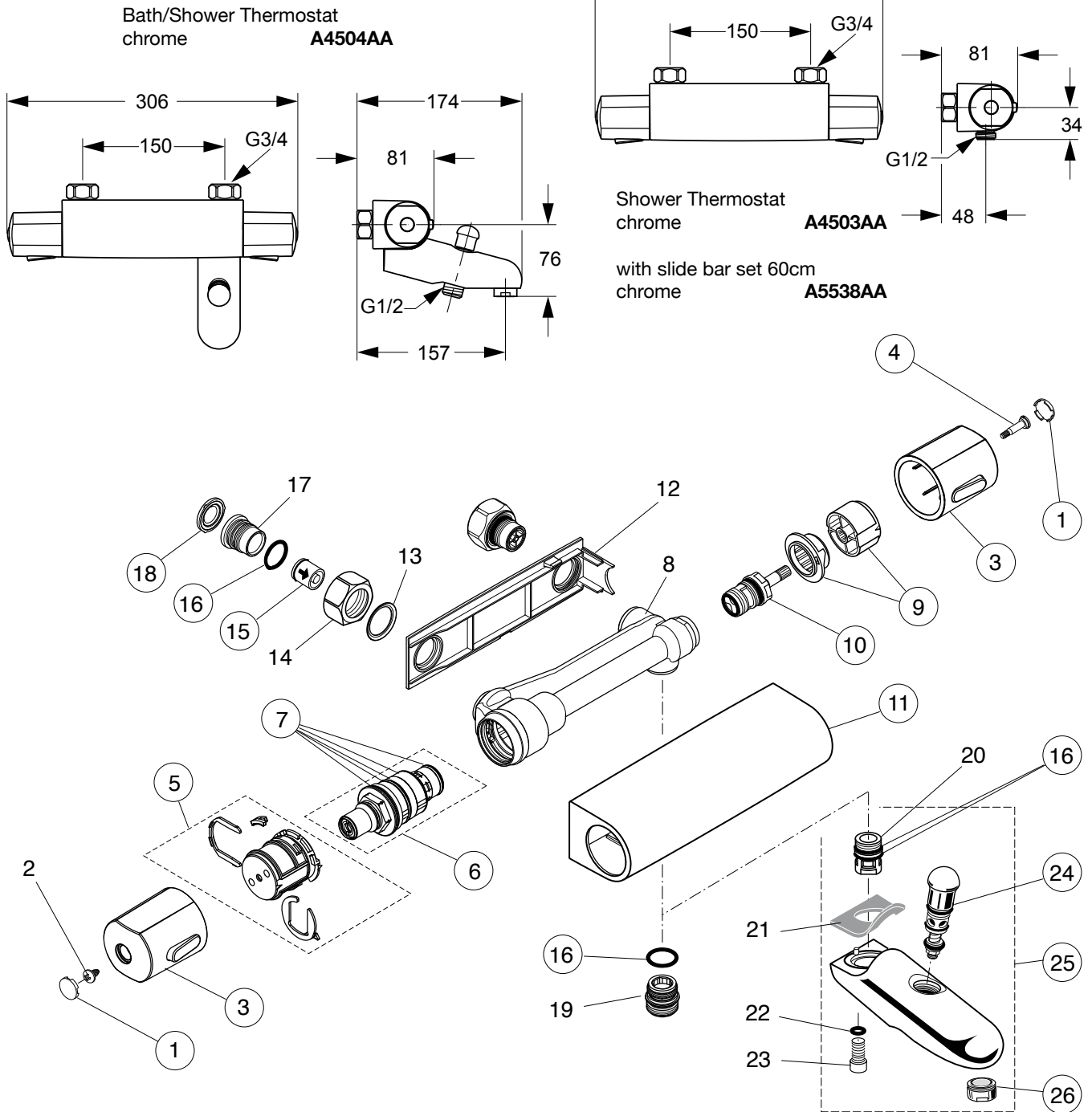


Produced from: April 2008



Pos.	Description	Part-Number	Qty.	Pos.	Description	Part-Number	Qty.
1	Cap for handle	A 962 221 NU	1 Set	15	Non-return valve DW15	A 962 594 NU	2 pcs
2	Screw Ejot PT KB50x10			16	O - ring Ø 17 x 2	A 961 810 NU	2 pcs
3	Handle for Temp. + Volume	A 962 222 AA	1 pcs	17	Seat M20 x 1 left thread		
4	Screw M4 L=23,5	A 962 998 NU	2 pcs	18	Strainer ( screen )	A 962 595 NU	2 pcs
5	Temp. adjustment compl.	A 963 427 NU	1 Set	19	Nipple M20x1 - G1/2 outside		
6	Thermostatic Cartridge	A 962 229 NU	1 pcs	20	Nipple M20x1 - M6 inside		
7	Repair-Set Cartridge	A 962 230 NU	1 Set	21	Seal plate		
8	Body for Bath/shower & Shower			22	O - Ring Ø 6 x 1,5		
9	Handle insert + stopring	A 963 432 NU	1 Set	23	Cylindrical screw M6x12 DIN 6912		
10	Headwork ( Cartridge )	A 963 400 NU	1 pcs	24	Diverter complete	A 963 336 AA	1 pcs
11	Cover for B/S&Shr 150mm	A 962 223 AA	1 pcs	25	Spout complete	A 4512 AA	1 pcs
12	Back plate ( frame )			26	Aerator M24x1 -D-	A 960 537 AA	1 pcs
13	Ring ( Clip )						
14	Coupling nut G3/4 - SW30						