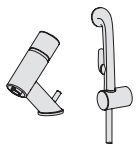




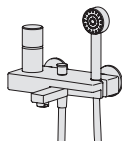
Installation Guide

IL BAGNO ALESSI One

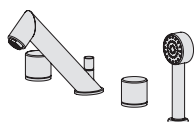
Water Is Worth Loving.



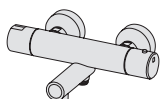
8500, 8500F, 8518, 8518F, 8502, 8502F, 85104



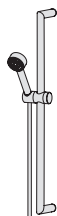
8545, 8560, 8586, 8597, 8598.....10



8540, 8550.....17



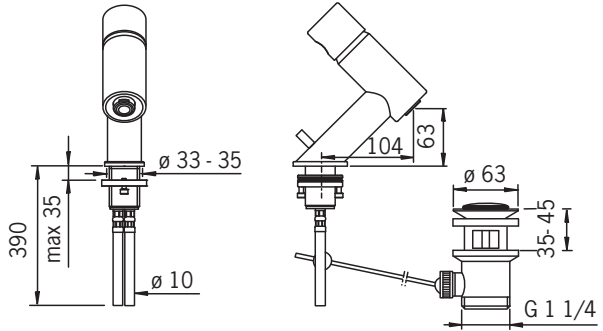
8570, 8570U, 8575, 8575U, 8580, 858522



8590, 248090, 238080.....27

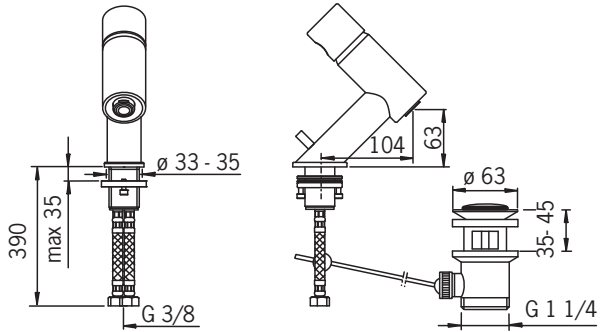
8500

EN 817
II (ISO 3822)
0.19 l/s
85 kPa (0.1 l/s)



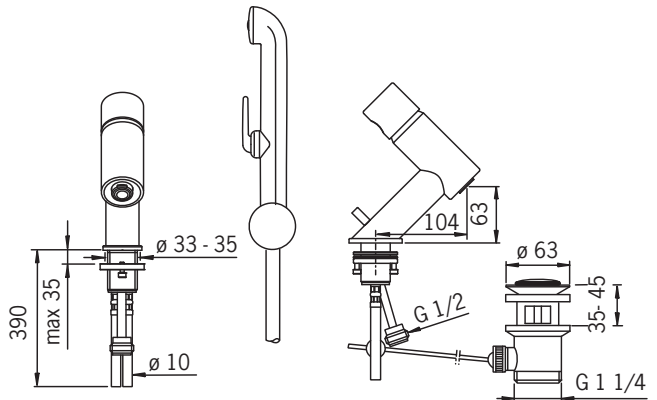
8500F

EN 817
II (ISO 3822)
0.18 l/s



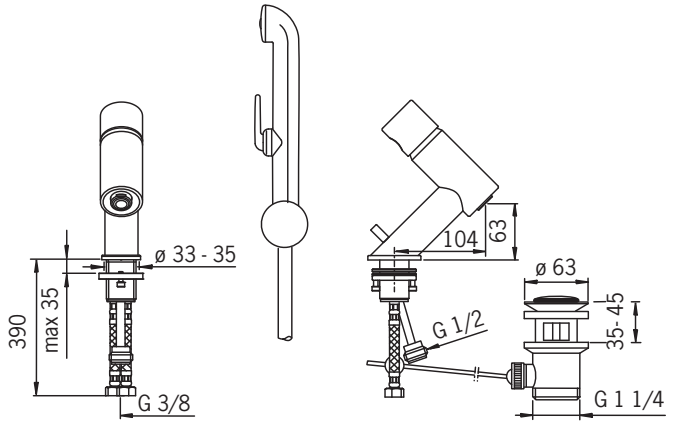
8502

EN 817
I (ISO 3822)
0.123 l/s
198 kPa (0.1 l/s)



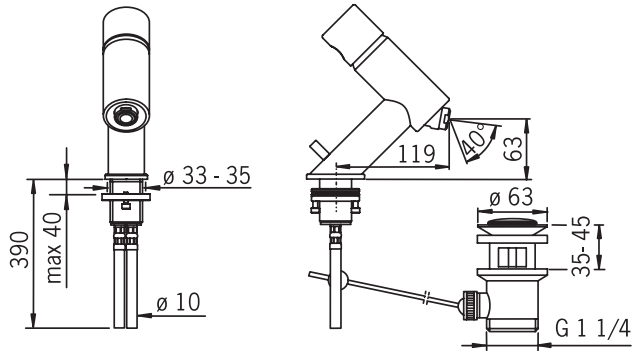
8502F

EN 817
I (ISO 3822)
0.12 l/s



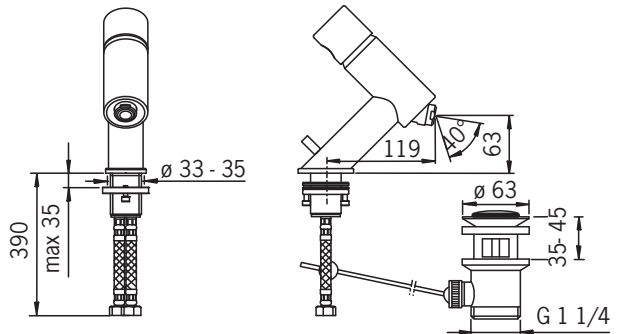
8518

EN 817
II (ISO 3822)
0.19 l/s
85 kPa (0.1 l/s)



8518F

EN 817
II (ISO 3822)
0.18 l/s



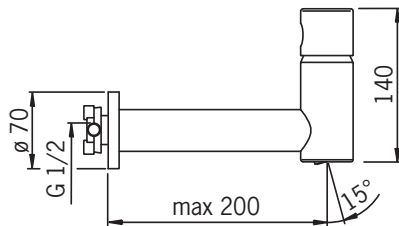
8510

EN 817

I (ISO 3822)

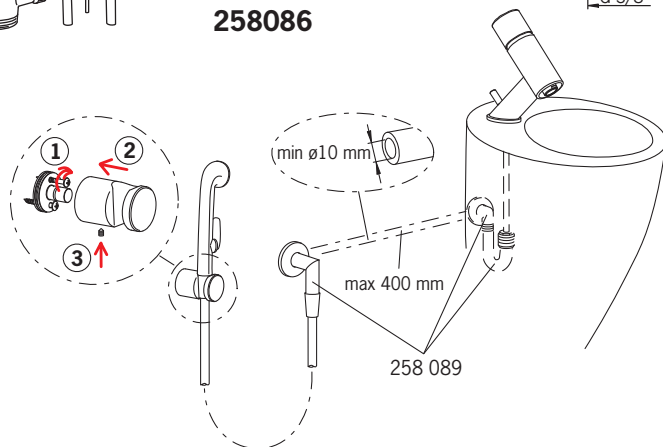
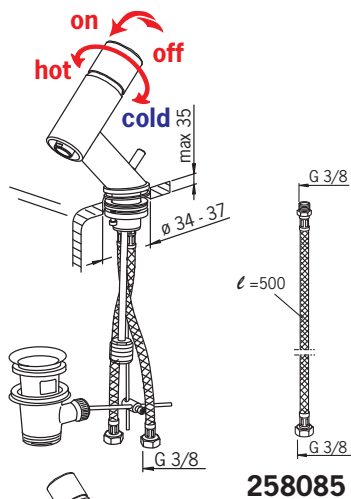
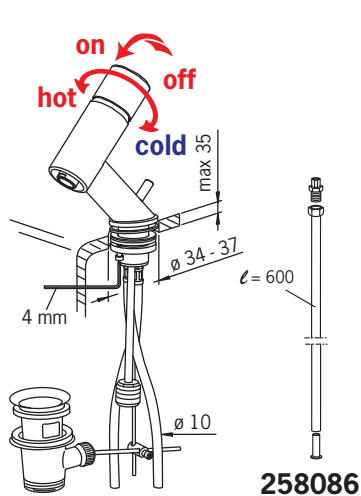
0.2 l/s

75 kPa (0.1 l/s)

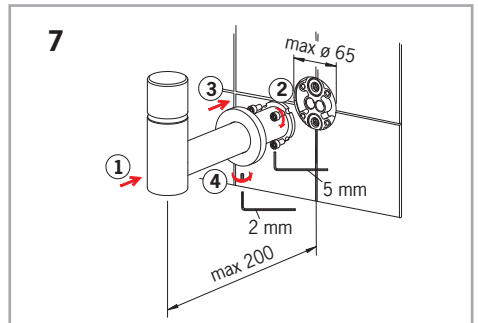
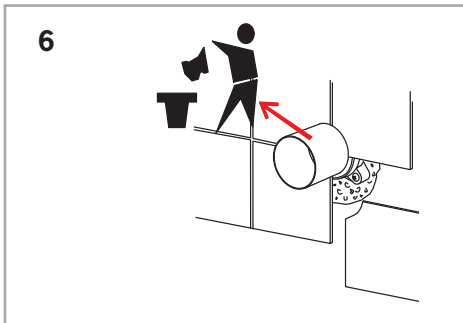
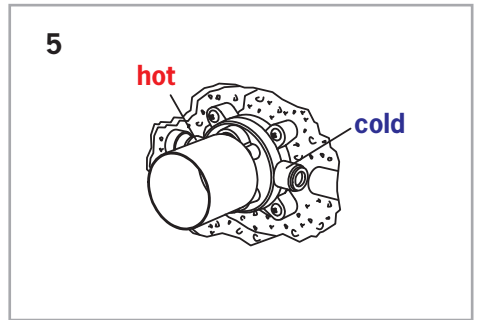
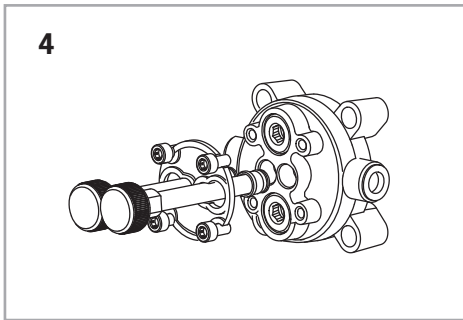
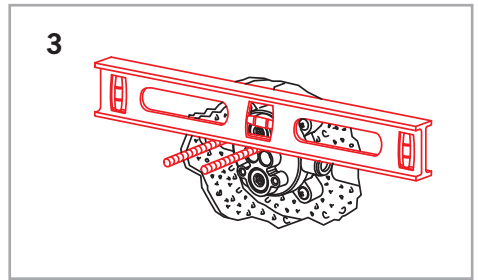
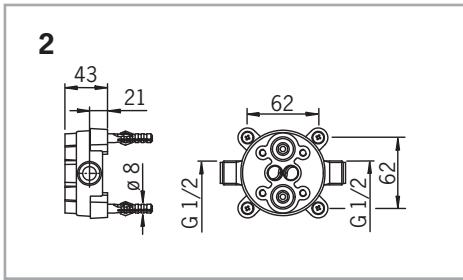
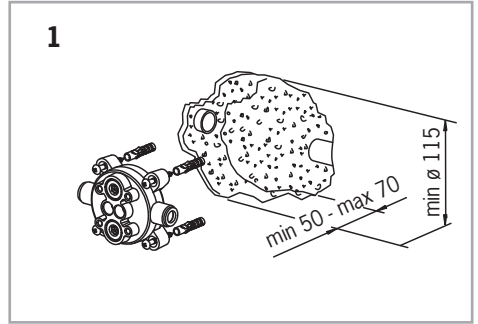
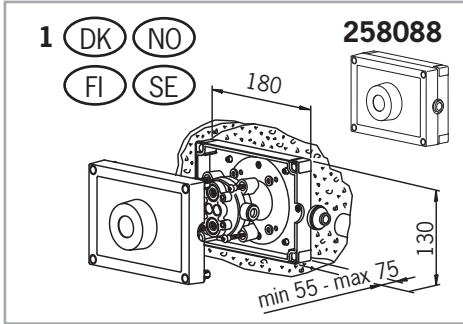


- (DE) Montage/Funktion
- (GB) Installation/Operation
- (DK) Installation/Betjening
- (ES) Montaje/Servicio
- (EE) Paigaldus/Toimimine
- (FI) Asennus/Toiminta
- (NL) Installatie/Bediening
- (FR) Installation/Utilisation
- (IT) Montaggio/Funzionamento
- (LV) Montāža/Darbības princips
- (LT) Montavimas/Veikimo principas
- (NO) Montering/ Funksjon
- (PL) Instalacja/Działanie
- (RU) Установка/Принцип действия
- (SE) Installation/ Funktion
- (CZ) Montáž/ Funkce

8500, 8500F, 8502, 8502F,
8518, 8518F



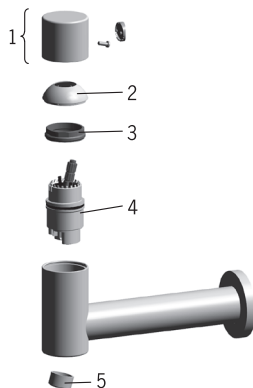
8510



- ⓁⒹ ⓂⓈ Ersatzteile
- ⓁⒹ ⓂⓈ Spare parts
- ⓁⒹ ⓂⓈ Reservedele
- ⓁⒹ ⓂⓈ Piezas de recambio
- ⓁⒹ ⓂⓈ Varuosad
- ⓁⒹ ⓂⓈ Varaosat
- ⓁⒹ ⓂⓈ Reserve-onderdelen
- ⓁⒹ ⓂⓈ Pièces détachées
- ⓁⒹ ⓂⓈ Pezzi di ricambio
- ⓁⒹ ⓂⓈ Rezerves daļas
- ⓁⒹ ⓂⓈ Atsarginės dalys
- ⓁⒹ ⓂⓈ Reservedeler
- ⓁⒹ ⓂⓈ Części zamienne
- ⓁⒹ ⓂⓈ Запасные части
- ⓁⒹ ⓂⓈ Reservdelar
- ⓁⒹ ⓂⓈ Náhradní díly

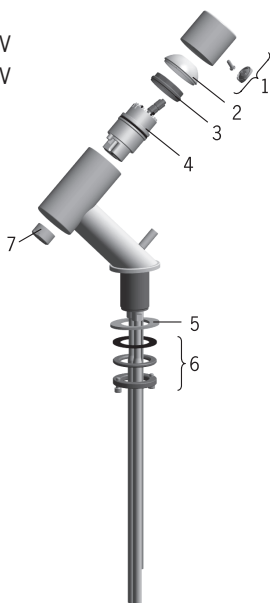
8510

- 1 859102V
- 2 859103V
- 3 158726
- 4 158890
- 5 232211



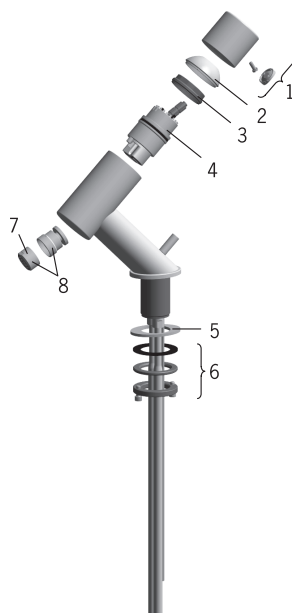
8500, 8500F

- 1 859102V
- 2 859103V
- 3 158726
- 4 158890
- 5 859117V
- 6 859114V
- 7 232211



8518, 8518F

- 1 859102V
- 2 859103V
- 3 158726
- 4 158890
- 5 859117V
- 6 859114V
- 7 232211
- 8 232511



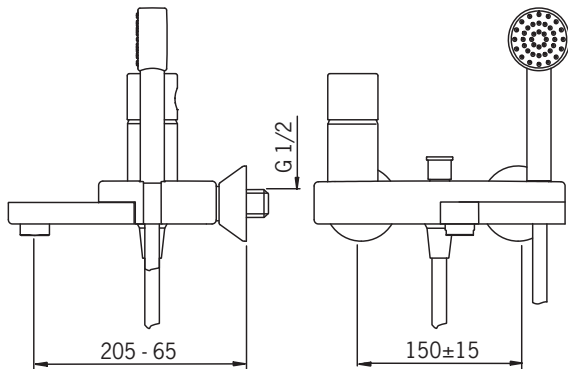
8545

EN 817

II (ISO 3822)

0.28 l/s

180 kPa (0.2 l/s)



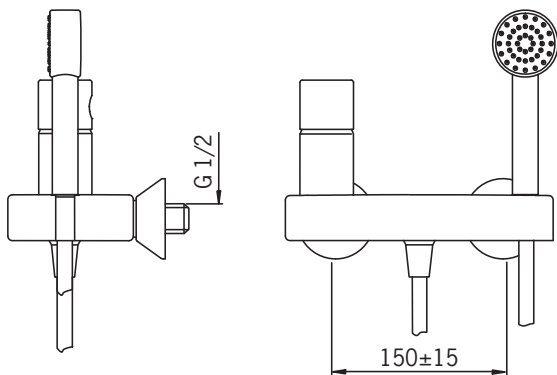
8560

EN 817

II (ISO 3822)

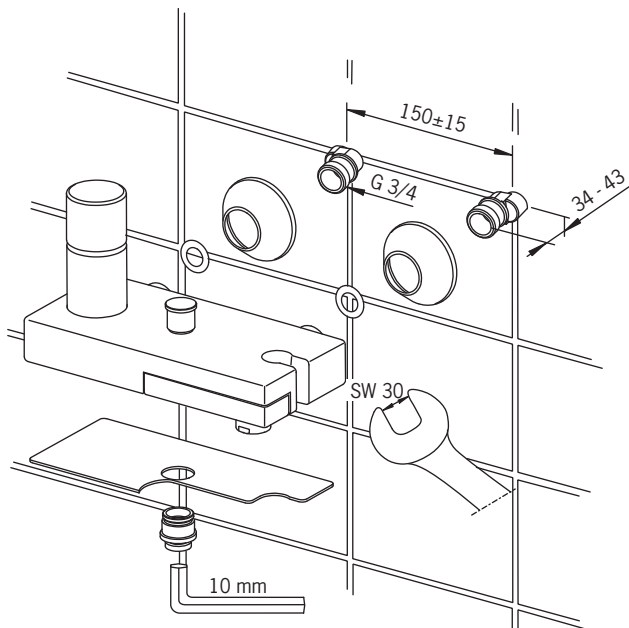
0.24 l/s

180 kPa (0.2 l/s)



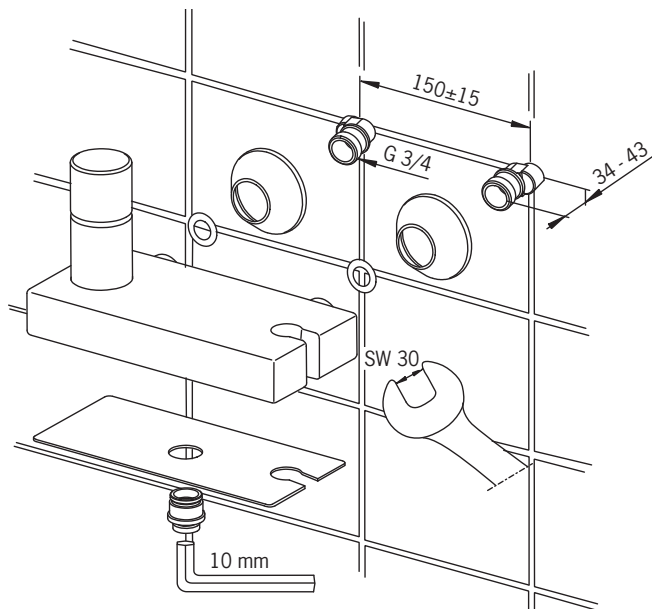
- ⒹE **Montage**
- ⒼB **Installation**
- ⒹK **Installation**
- ⒺS **Montaje**
- ⒺE **Paigaldus**
- ⒻI **Asennus**
- ⒶL **Installatie**
- ⒻR **Installation**
- ⒾT **Montaggio**
- ⒻV **Montāža**
- ⒻT **Montavimas**
- ⒶO **Montering**
- ⒶL **Instalacja**
- ⒶU **Установка**
- ⒶE **Installation**
- ⒸZ **Montáž**

8545



- ⒹE **Montage**
- ⒼB **Installation**
- ⒹK **Installation**
- ⒺS **Montaje**
- ⒺE **Paigaldus**
- ⒻI **Asennus**
- ⒶL **Installatie**
- ⒻR **Installation**
- ⒾT **Montaggio**
- ⒻV **Montāža**
- ⒻT **Montavimas**
- ⒶO **Montering**
- ⒶL **Instalacja**
- ⒶU **Установка**
- ⒶE **Installation**
- ⒸZ **Montáž**

8560



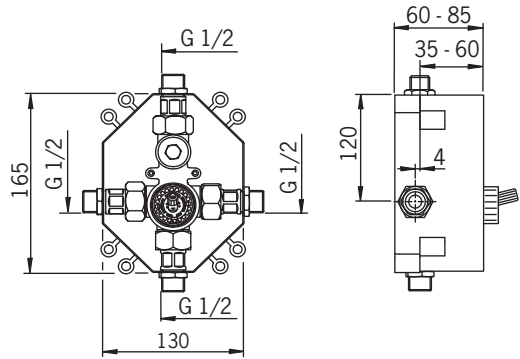
8586

EN 817

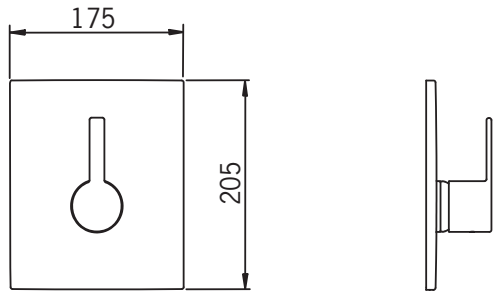
II (ISO 3822)

0.24 l/s

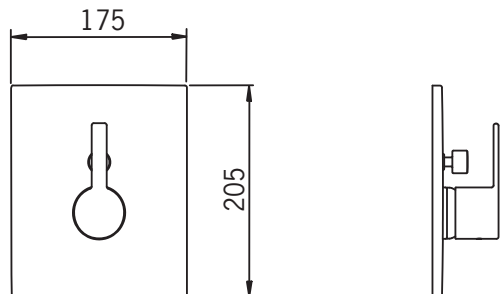
208 kPa (0.2 l/s)



8597



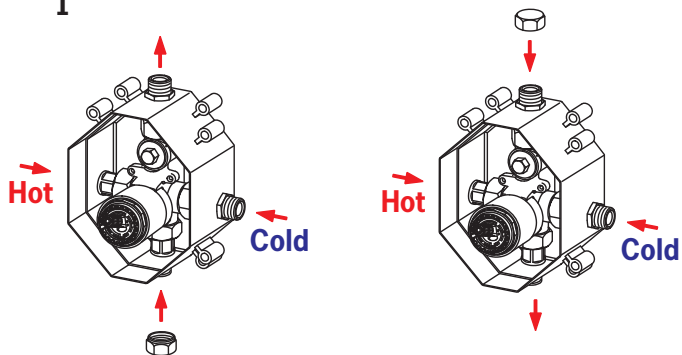
8598



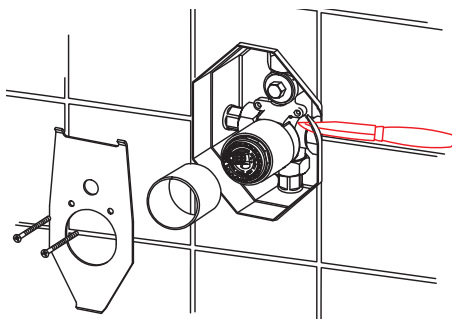
- Ⓓ Montage
- ⒼⒷ Installation
- ⒹⓀ Installation
- ⒺⓈ Montaje
- ⒺⒺ Paigaldus
- ⒻⒾ Asennus
- ⒼⒾ Installatie
- ⒻⓇ Installation
- ⒻⓉ Montaggio
- ⒻⓋ Montāža
- ⒻⓉ Montavimas
- ⒼⓃ Montering
- ⒼⓁ Instalacja
- ⒻⓇ Установка
- ⒺⒺ Installation
- ⒸⓏ Montáž

8597

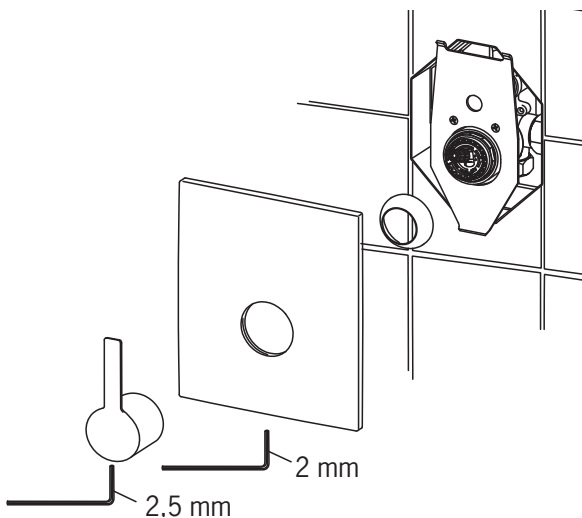
1



2

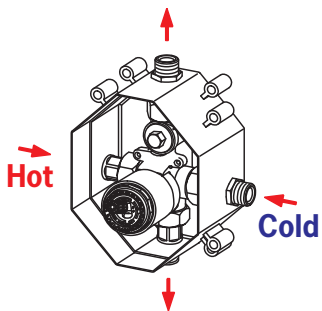


3

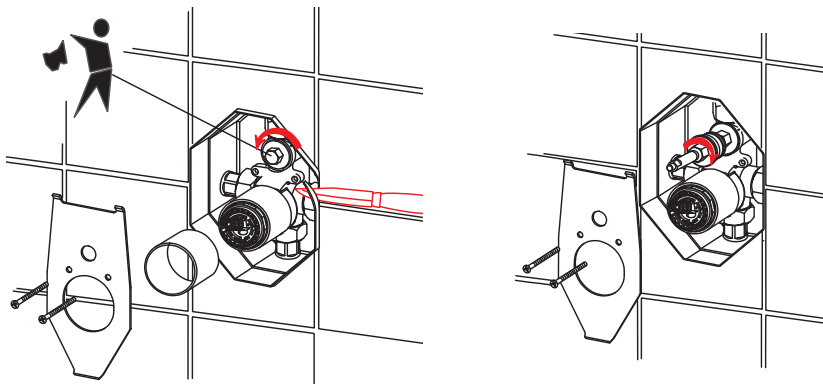


- (DE) **Montage** **8598**
 (GB) **Installation**
 (DK) **Installation**
 (ES) **Montaje**
 (EE) **Paigaldus**
 (FI) **Asennus**
 (NL) **Installatie**
 (FR) **Installation**
 (IT) **Montaggio**
 (LV) **Montāža**
 (LT) **Montavimas**
 (NO) **Montering**
 (PL) **Instalacja**
 (RU) **Установка**
 (SE) **Installation**
 (CZ) **Montáž**

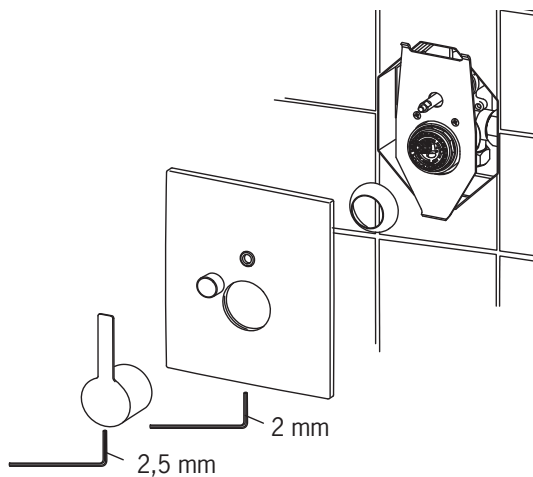
1



2



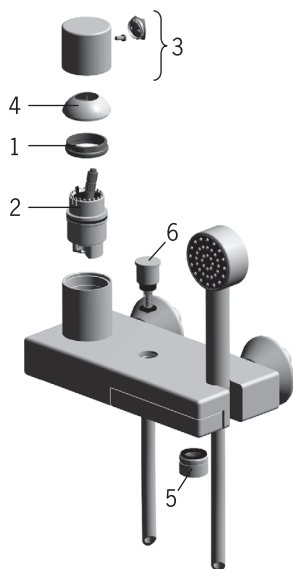
3



- (DE) Ersatzteile
- (GB) Spare parts
- (DK) Reservedele
- (ES) Piezas de recambio
- (EE) Varuosad
- (FI) Varaosat
- (NL) Reserve-onderdelen
- (FR) Pièces détachées
- (IT) Pezzi di ricambio
- (LV) Rezerves daļas
- (LT) Atsarginės dalys
- (NO) Reservedeler
- (PL) Części zamienne
- (RU) Запасные части
- (SE) Reservdelar
- (CZ) Náhradní díly

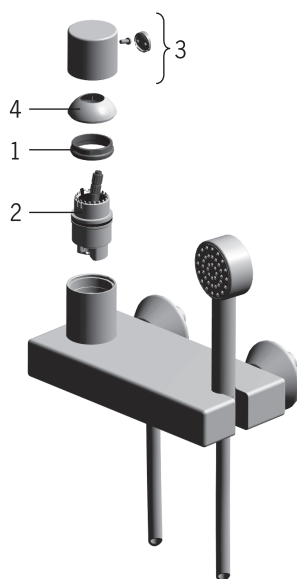
8545

- 1 158726
- 2 158890
- 3 859102V
- 4 859103V
- 5 232213
- 6 859183V



8560

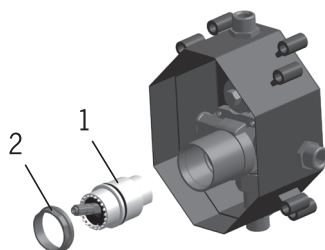
- 1 158726
- 2 158890
- 3 859102V
- 4 859103V



- Ⓧ DE **Ersatzteile**
- Ⓧ GB **Spare parts**
- Ⓧ DK **Reservedele**
- Ⓧ ES **Piezas de recambio**
- Ⓧ EE **Varuosad**
- Ⓧ FI **Varaosat**
- Ⓧ NL **Reserve-onderdelen**
- Ⓧ FR **Pièces détachées**
- Ⓧ IT **Pezzi di ricambio**
- Ⓧ LV **Rezerves daļas**
- Ⓧ LT **Atsarginės dalys**
- Ⓧ NO **Reservdeler**
- Ⓧ PL **Części zamienne**
- Ⓧ RU **Запасные части**
- Ⓧ SE **Reservdelar**
- Ⓧ CZ **Náhradní díly**

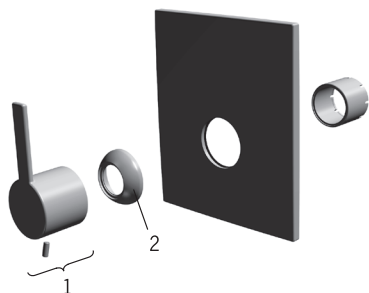
8586

- 1 158890
- 2 158726



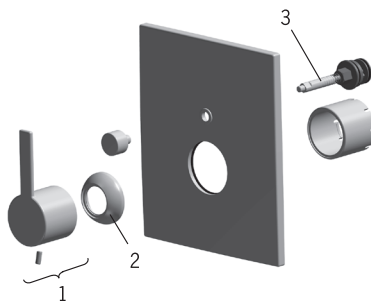
8597

- 1 859157V
- 2 859155V



8598

- 1 859157V
- 2 859155V
- 3 859280V



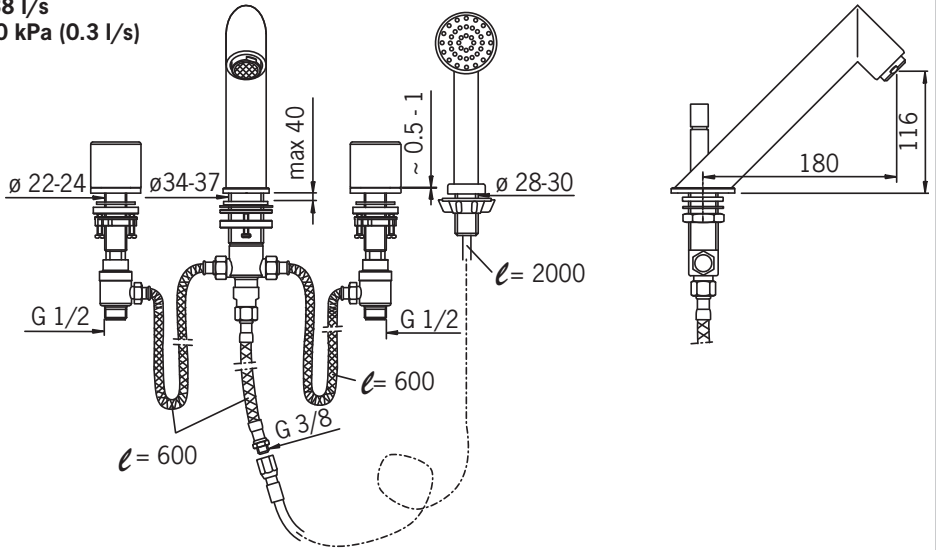
8540

EN 200

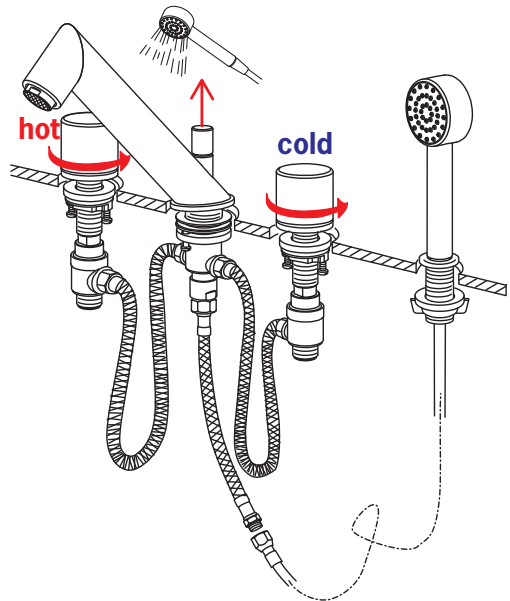
II (ISO 3822)

0.38 l/s

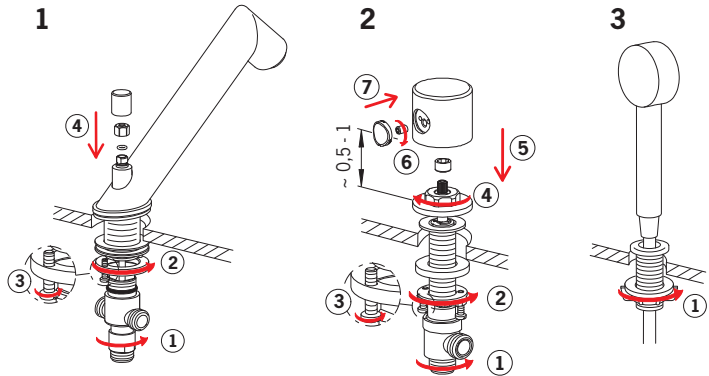
190 kPa (0.3 l/s)



- Ⓛ DE **Funktion**
- Ⓛ GB **Operation**
- Ⓛ DK **Betjening**
- Ⓛ ES **Servicio**
- Ⓛ EE **Toimimine**
- Ⓛ FI **Toiminta**
- Ⓛ NL **Bediening**
- Ⓛ FR **Utilisation**
- Ⓛ IT **Funzionamento**
- Ⓛ LV **Darbības princips**
- Ⓛ LT **Veikimo principas**
- Ⓛ NO **Funksjon**
- Ⓛ PL **Działanie**
- Ⓛ RU **Принцип действия**
- Ⓛ SE **Funktion**
- Ⓛ CZ **Funkce**



- Ⓧ DE **Montage**
- Ⓧ GB **Installation**
- Ⓧ DK **Installation**
- Ⓧ ES **Montaje**
- Ⓧ EE **Paigaldus**
- Ⓧ FI **Asennus**
- Ⓧ NL **Installatie**
- Ⓧ FR **Installation**
- Ⓧ IT **Montaggio**
- Ⓧ LV **Montāža**
- Ⓧ LT **Montavimas**
- Ⓧ NO **Montering**
- Ⓧ PL **Instalacja**
- Ⓧ RU **Установка**
- Ⓧ SE **Installation**
- Ⓧ CZ **Montáž**



- Ⓧ DE **Ersatzteile**
- Ⓧ GB **Spare parts**
- Ⓧ DK **Reservedele**
- Ⓧ ES **Piezas de recambio**
- Ⓧ EE **Varuosad**
- Ⓧ FI **Varaosat**
- Ⓧ NL **Reserve-onderdelen**
- Ⓧ FR **Pièces détachées**
- Ⓧ IT **Pezzi di ricambio**
- Ⓧ LV **Rezerves daļas**
- Ⓧ LT **Atsarginės dalys**
- Ⓧ NO **Reservedeler**
- Ⓧ PL **Części zamienne**
- Ⓧ RU **Запасные части**
- Ⓧ SE **Reservdelar**
- Ⓧ CZ **Náhradní díly**

8540

- 1 859383V
- 2 209711V
- 3 232213
- 4 859135V
- 5 109898
- 6 158592V
- 7 859203V
- 8 859198V



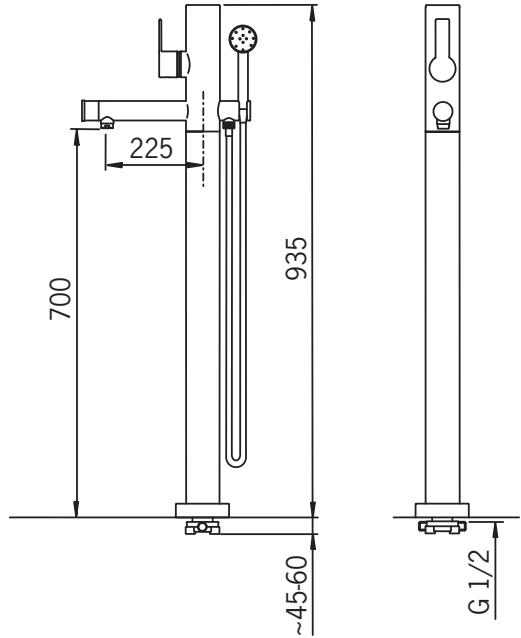
8550

EN 817

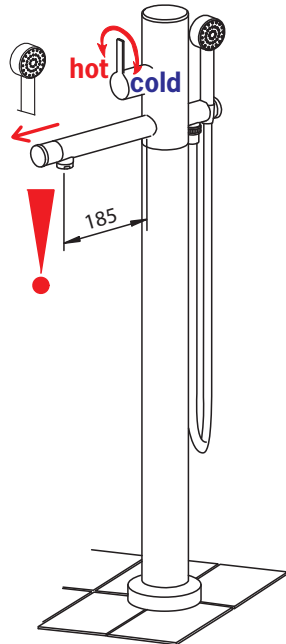
I (ISO 3822)

0.32 l/s

295 kPa (0.3 l/s)

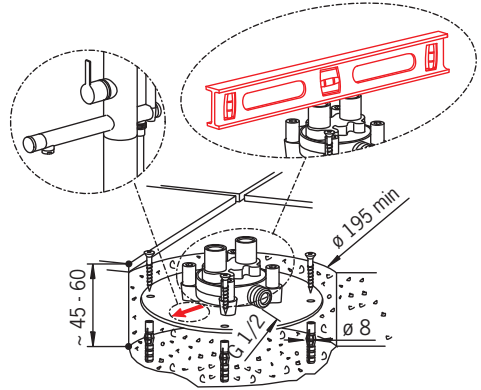


- ⓁⒹ **Funktion**
- ⓁⒼ **Operation**
- ⒹⓀ **Betjening**
- ⒺⓈ **Servicio**
- ⒺⒺ **Toimimine**
- ⒻⒾ **Toiminta**
- ⓃⒻ **Bediening**
- ⒻⒼ **Utilisation**
- ⒾⒼ **Funzionamento**
- ⒻⓋ **Darbības princips**
- ⒻⒿ **Veikimo principas**
- ⓃⓄ **Funksjon**
- Ⓟ **Działanie**
- ⒼⒶ **Принцип действия**
- ⓈⒺ **Funktion**
- ⒸⒿ **Funkce**

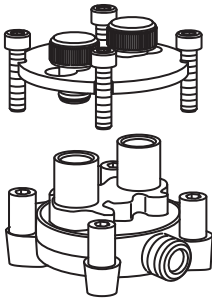


- Ⓓ **Montage**
- ⒼⒷ **Installation**
- ⒹⓀ **Installation**
- ⒺⓈ **Montaje**
- ⒺⒺ **Paigaldus**
- ⒻⒾ **Asennus**
- ⒼⒶ **Installatie**
- ⒻⓇ **Installation**
- ⒾⓉ **Montaggio**
- ⒻⓋ **Montāža**
- ⒻⓉ **Montavimas**
- ⒼⓃ **Montering**
- ⒶⓁ **Instalacja**
- ⓇⓊ **Установка**
- Ⓔ **Installation**
- ⒸⓏ **Montáž**

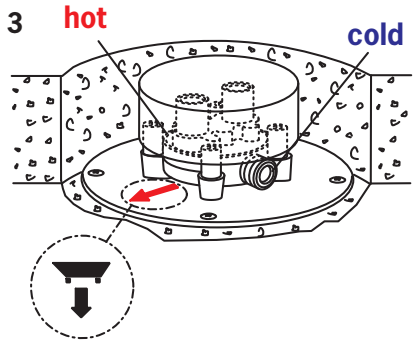
1



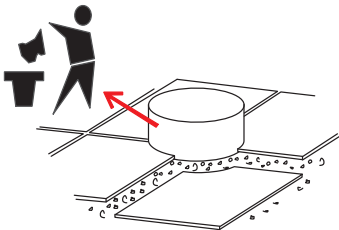
2



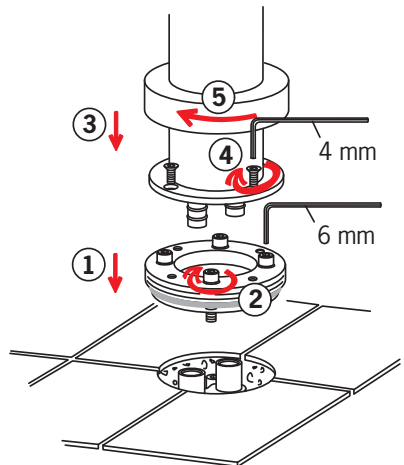
3



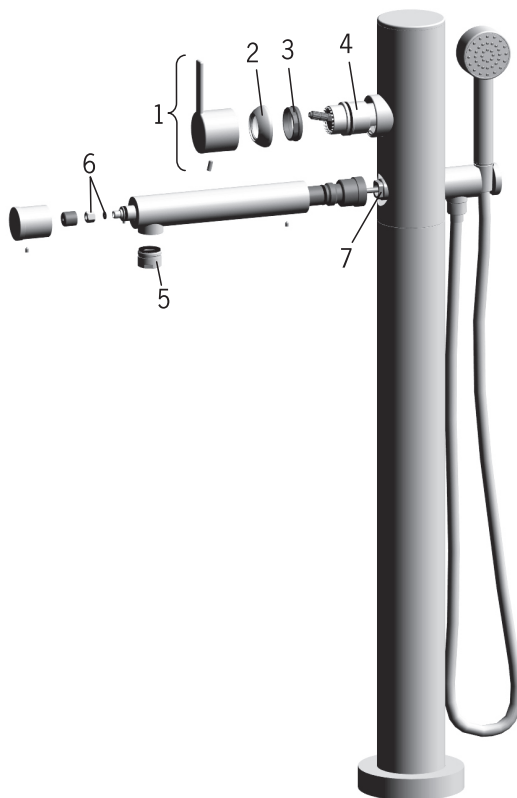
4



5



(DE)	Ersatzteile	8550
(GB)	Spare parts	1 859157V
(DK)	Reservedele	2 859155V
(ES)	Piezas de recambio	3 158726
(EE)	Varuosad	4 158890
(FI)	Varaosat	5 232213
(NL)	Reserve-onderdelen	6 209711V
(FR)	Pièces détachées	7 859381V
(IT)	Pezzi di ricambio	
(LV)	Rezerves daļas	
(LT)	Atsarginės dalys	
(NO)	Reservdeler	
(PL)	Części zamienne	
(RU)	Запасные части	
(SE)	Reservdelar	
(CZ)	Náhradní díly	



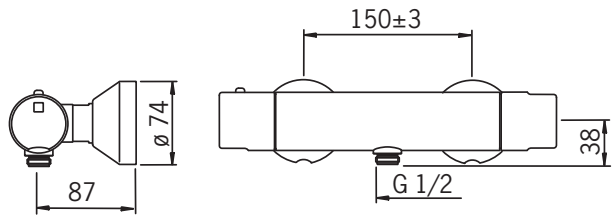
8570

EN 1111

I (ISO 3822) Oras lab

0.29 l/s

143 kPa (0.2 l/s)



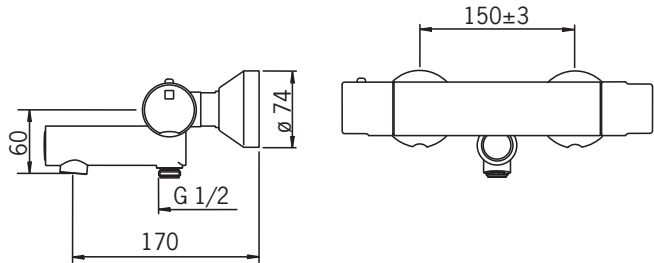
8575

EN 1111

I (ISO 3822) Oras lab

0.33 l/s

248 kPa (0.3 l/s)



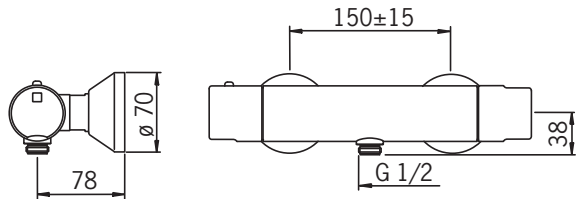
8570U

EN 1111

I (ISO 3822) Oras lab

0.29 l/s

143 kPa (0.2 l/s)



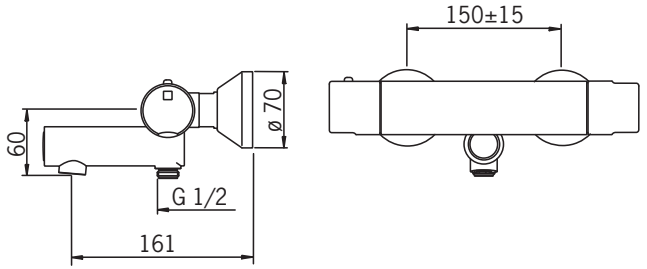
8575U

EN 1111

I (ISO 3822) Oras lab

0.33 l/s

250 kPa (0.3 l/s)



8580

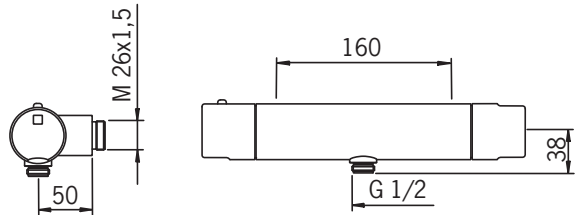


EN 1111

I (ISO 3822) Oras lab

0.29 l/s

143 kPa (0.2 l/s)



8585

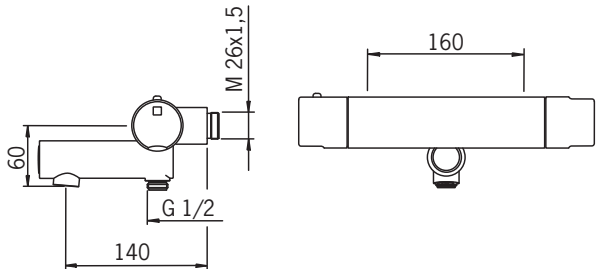


EN 1111

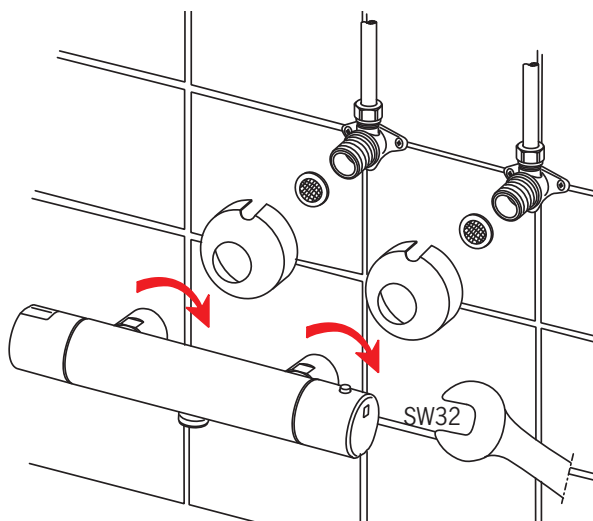
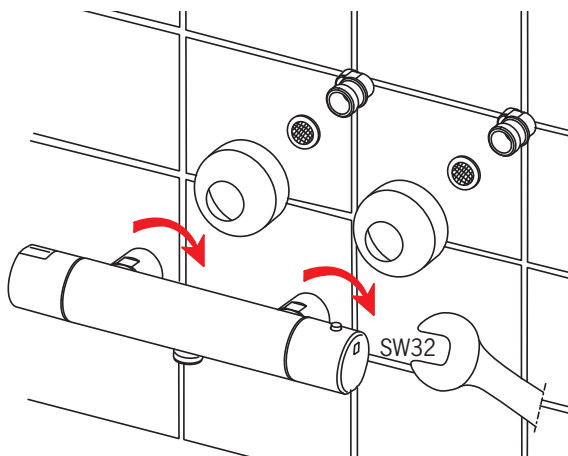
I (ISO 3822) Oras lab

0.33 l/s

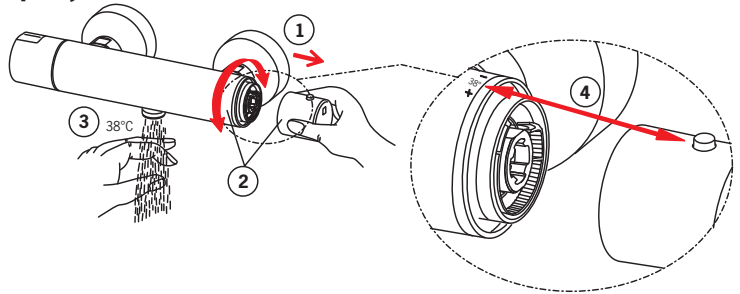
250 kPa (0.3 l/s)



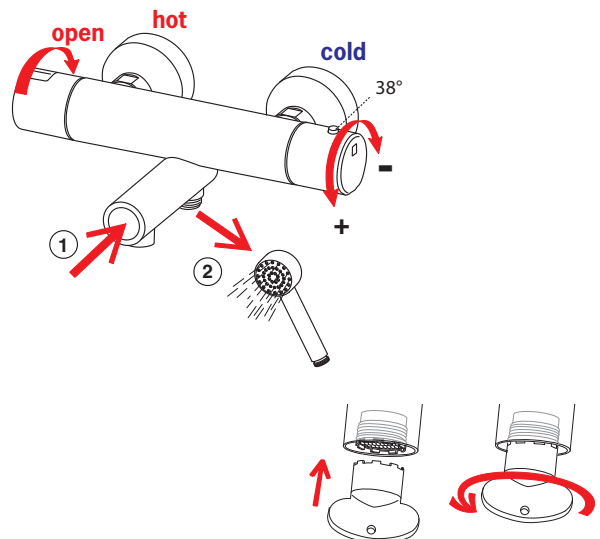
- ⒹⒺ **Montage**
- ⒸⒹ **Installation**
- ⒹⓀ **Installation**
- ⒺⓈ **Montaje**
- ⒺⒺ **Paigaldus**
- ⒻⒾ **Asennus**
- ⒸⒶ **Installatie**
- ⒻⓇ **Installation**
- ⒾⓉ **Montaggio**
- ⒻⓋ **Montāža**
- ⒻⓉ **Montavimas**
- ⒸⓃ **Montering**
- ⒸⒾ **Instalacja**
- ⒺⓇ **Установка**
- ⒺⒺ **Installation**
- ⒸⓏ **Montáž**



- (DE) **Temperatureinstellung am Montageort**
- (GB) **Temperature adjustment**
- (DK) **Justering af temperaturen på installationsstedet**
- (ES) **Ajuste de la temperatura en el lugar de montaje**
- (EE) **Temperatuuri seadmine vajadusel**
- (FI) **Lämpötilan säätö tarvittaessa**
- (NL) **Temperatuursinstelling**
- (FR) **Limitation de la température**
- (IT) **Regolazione della temperatura sul luogo del montaggio**
- (LV) **Temperatūras regulēšana**
- (LT) **Temperatūros nustatymas**
- (NO) **Justering av temperaturen ved sperreknappens**
- (PL) **Regulacja temperatury**
- (RU) **Регулировка температуры**
- (SE) **Justering av blandningstemperatur**
- (CZ) **Regulátor teploty**



- (DE) **Funktion**
- (GB) **Operation**
- (DK) **Betjening**
- (ES) **Servicio**
- (EE) **Toimimine**
- (FI) **Toiminta**
- (NL) **Bediening**
- (FR) **Utilisation**
- (IT) **Funzionamento**
- (LV) **Darbības princips**
- (LT) **Veikimo principas**
- (NO) **Funksjon**
- (PL) **Działanie**
- (RU) **Принцип действия**
- (SE) **Funktion**
- (CZ) **Funkce**



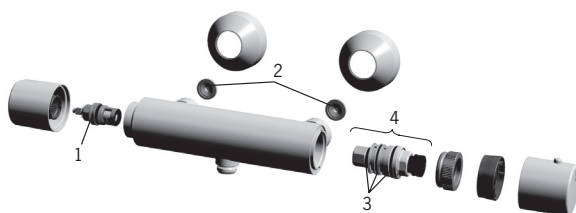
- Ⓓ **Ersatzteile**
- Ⓖ **Spare parts**
- Ⓓ **Reservedele**
- Ⓔ **Piezas de recambio**
- Ⓔ **Varuosad**
- Ⓕ **Varaosat**
- Ⓖ **Reserve-onderdelen**
- Ⓕ **Pièces détachées**
- Ⓕ **Pezzi di ricambio**
- Ⓕ **Rezerves daļas**
- Ⓕ **Atsarginės dalys**
- Ⓖ **Reservedeler**
- Ⓕ **Części zamienne**
- Ⓕ **Запасные части**
- Ⓕ **Reservdelar**
- Ⓕ **Náhradní díly**

8570, 8570U

- 1 109898
- 2 178375V
- 3 178796V
- 4 178780V

8580

- 1 109898
- 2 198094/2
- 3 178796V
- 4 178780V

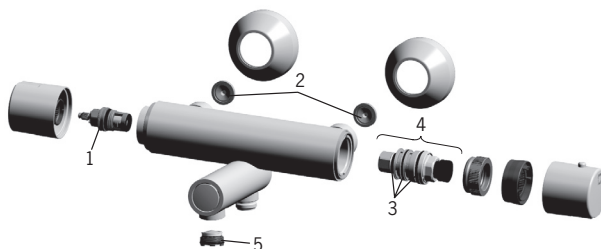


8575, 8575U

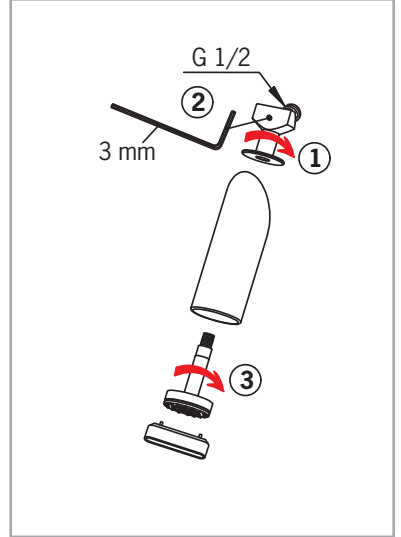
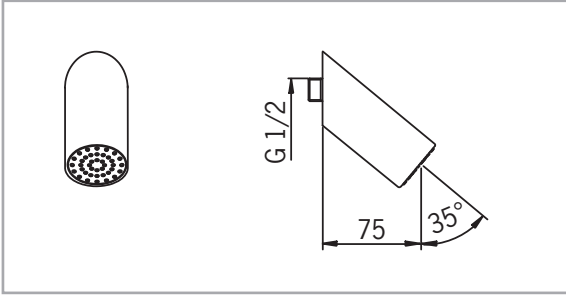
- 1 109898
- 2 178375V
- 3 178796V
- 4 178780V
- 5 859323V

8585

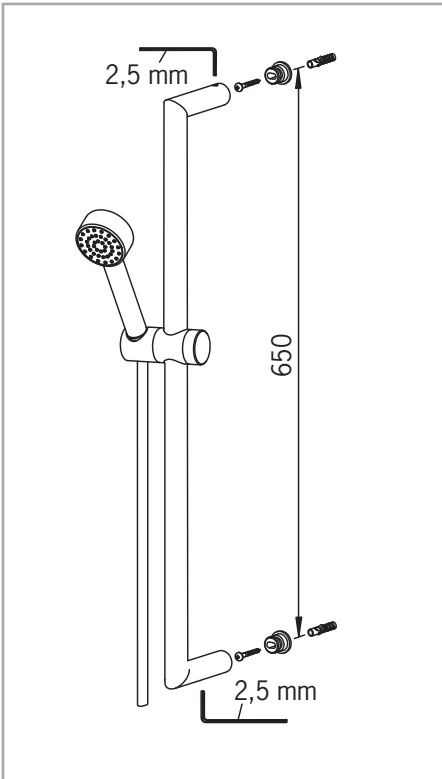
- 1 109898
- 2 198097/2
- 3 178796V
- 4 178780V
- 5 859323V



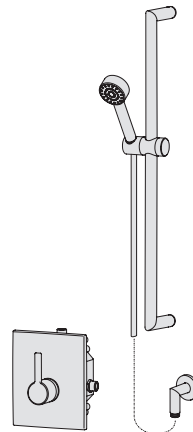
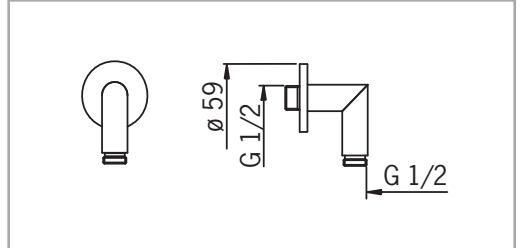
238080



8590



248090



Oras develops, manufactures and markets user-friendly and innovative faucet systems and the related valves and modules. The design and technical solutions of our products are driven by user-friendliness. Oras is the Nordic market leader and one of the Europe's largest manufacturers of faucets. The Oras Group has production facilities in Finland, Poland, and Norway. A large and versatile collection and alternatives for different purposes enable you to find the right faucet for every purpose. For the further details please apply to Oras web site at www.oras.com

Det Norske Veritas Certification OY/AB certifies that the Quality Management System of Oras Oy in Rauma Finland, conforms to the ISO 9001:2000 and the Environmental Management System to the ISO 14001:2004 standard. The certificates are valid for development, manufacture, marketing, sales and after sales services of faucets, accessories and valves.



The TÜV CERT Certification Body of TÜV NORD Zertifizierungs- und Umweltgutachter Gesellschaft mbH certifies that Oras Olesno Sp. z o.o. in Olesno Poland has established and applies Quality and Environmental Management System for manufacture, storage, marketing, sales and after sales services of faucets, valves and accessories. Proof has been provided that the requirements according to ISO 9001:2000 and ISO 14001:2004 are fulfilled.



ORAS LTD

Isometsäntie 2, P.O. Box 40
FI-26101 Rauma
Finland
Puh. +358 (0)2 83 161
Fax +358 (0)2 831 6300
Info.Finland@oras.com



www.oras.com