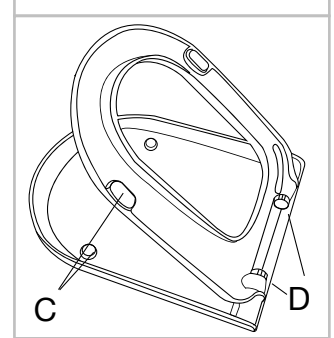
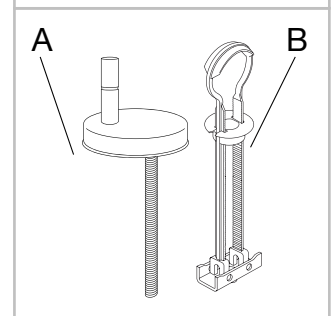
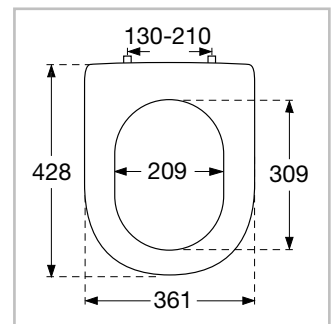




Toilet seat Hommage

Model	8809 S1 Hommage toilet seat with soft closing and quick release, incl. 9220 55 61 universal toggle hinge with lift off
Product Description	<p>Hommage toilet seat in Wrap Over design made of colour ingrained duroplast with hinges in stainless steel and plastic</p> <ul style="list-style-type: none"> - incl. toggle hinge in stainless steel - centre distance 130 - 210 mm - load of ring seat: 240 kg - 10 year guarantee
Colour Programme	<p>01 White (Alpin) 09 Pergamon R2 Star White</p>
Hinge Finish	61 Stainless steel
Spare Parts	<p>A) 9220 55 61 Universal toggle hinge with lift off B) 9218 9600 Spare part for toggle hinge C) 9220 9700 Buffer for seat and cover D) 9220 2300 Damper set</p>
Additional Information	For further information such as mounting instruction or video mounting documentation please go to the previous page and press "downloads"



Toilet seat Hommage

Material Description

TOILET SEAT:

The material is colour ingrained duroplast (UF A 10 = urea formaldehyde) that contains no environmentally hazardous substances. The body consists of approx. 50% urea (NH₂CONH₂), approx. 25% cellulose and approx. 25% formaldehyde (HCHO), as well as small amounts of various fillers and additives.

BUFFERS:

EVA (copolymer made of ethylene and vinyl acetate).

MOUNT/HINGES:

Stainless steel.

Cleaning Instructions

Use a mild soap solution. Seat and hinges should not be left damp, but be dried with a soft cloth. When using abrasive, corrosive or chlorine based cleaners for the bowl, avoid contact with seat and hinges as it may lead to damages or flash rust. Therefore, when cleaning the bowl, make sure that seat and cover are in an upright position until all the cleaner has been flushed away

Guarantee

The guarantee includes faults or defects in the material of our products within a periode of 10 years. Products subject to minor technical modifications and design deviations E. & O.E.

